

CORDLESS FORCED AIR HEATER

HEATSTAR

CORDLESS by ENERCO™

CORDLESS RECHARGEABLE
FORCED AIR PROPANE HEATER



HS60CLP



HS35CLP

- Built-in battery and charger
- Run up to 8 hours per charge.
(HS60CLP requires two batteries)
- Recharges in 5-6 hours
- Can operate while plugged in and charging
- Ultra-quiet fan
- Quiet burner
- Lower surface temperature
- Limited 1-year warranty
- Instant Heat
(Economical, efficient and clean-burning)
- Ready to use
(Hose and regulator included)

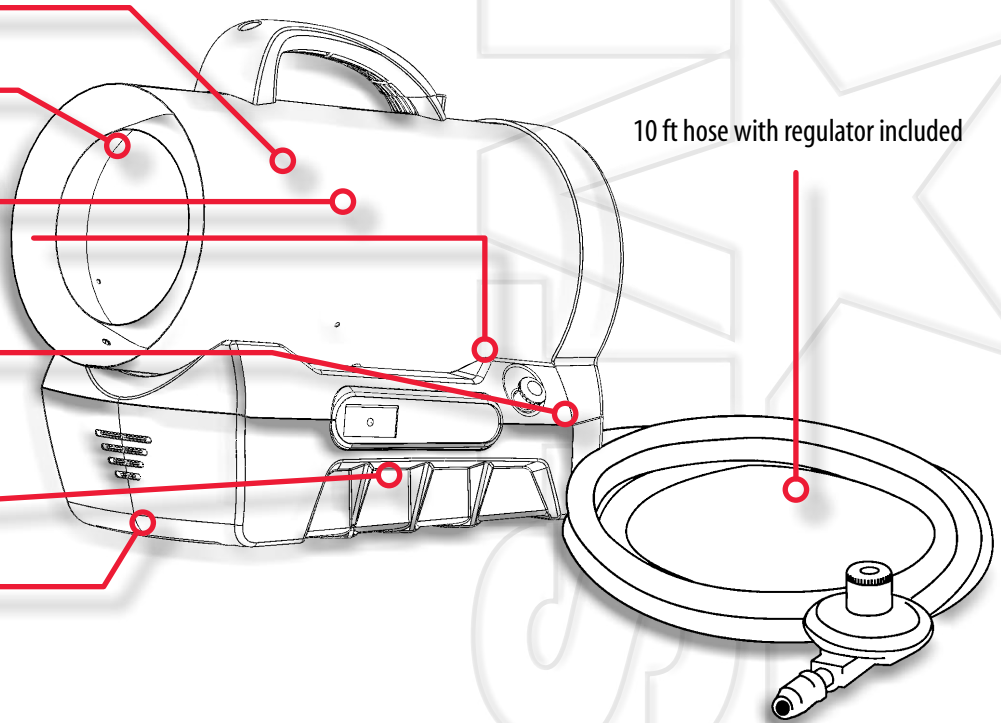
HS35CLP - 35,000 BTU/HR HEATER FOR:

HS60CLP - 30-60,000 BTU/HR HEATER FOR:

- Construction Sites • Workshops • Industrial / Commercial Workspaces • Remodeling Jobs • Emergencies

BOTH UNITS FEATURE:

- Compact design
- QBT -Quiet Burner Technology - 2x quieter
- Lower surface temperatures
- One-touch gas valve with Piezo Ignitor (HS35CLP)
- Electronic Ignition (HS60CLP)
- Easy gas connection
- Built-in charging system/Removable cord
- Push-button electronic control
- Built-in battery



SPECIFICATIONS & TECHNICAL DATA

Stock Number	Output (BTU/HR)	Fuel	Min. required tank size	Burner design	Propane consumption (lbs/hr)	Regulator outlet pressure (w/flow)
F143900	35,000	Propane	20 lb.	QBT	1.6	38" W.C.
F128835	30-60,00	Propane	20 lb.	QBT	2.7	59" W.C.

Flame safety shut-off	High temperature limit switch	Ignition	Power required for charging	Tank connection	Net weight	Shipping weight
Yes	Yes	Piezo	115V AC	10 ft hose with regulator	12 lb.	17 lb.
Yes	Yes	Electronic	115V AC	10 ft hose with regulator	16 lb.	20 lb.

WARNING: Combustion by-products produced when using this product contains a chemical known to the State of California to cause cancer and birth defects or other reproductive harm.

WARNING: This product contains chemicals known to the State of California to cause cancer and birth defects or other reproductive harm.

WARNING: NEVER LEAVE A HEATER UNATTENDED WHILE BURNING!

NOTICE: Not for use in a "dwelling home" in California

Always check local codes for permitted uses.

When using a 20 lb. tank, place cylinder outdoors. Never bring a 20 lb. cylinder indoors.
NOTE: Adequate ventilation must be provided, see operating instructions.
 Multiple Patents Pending.